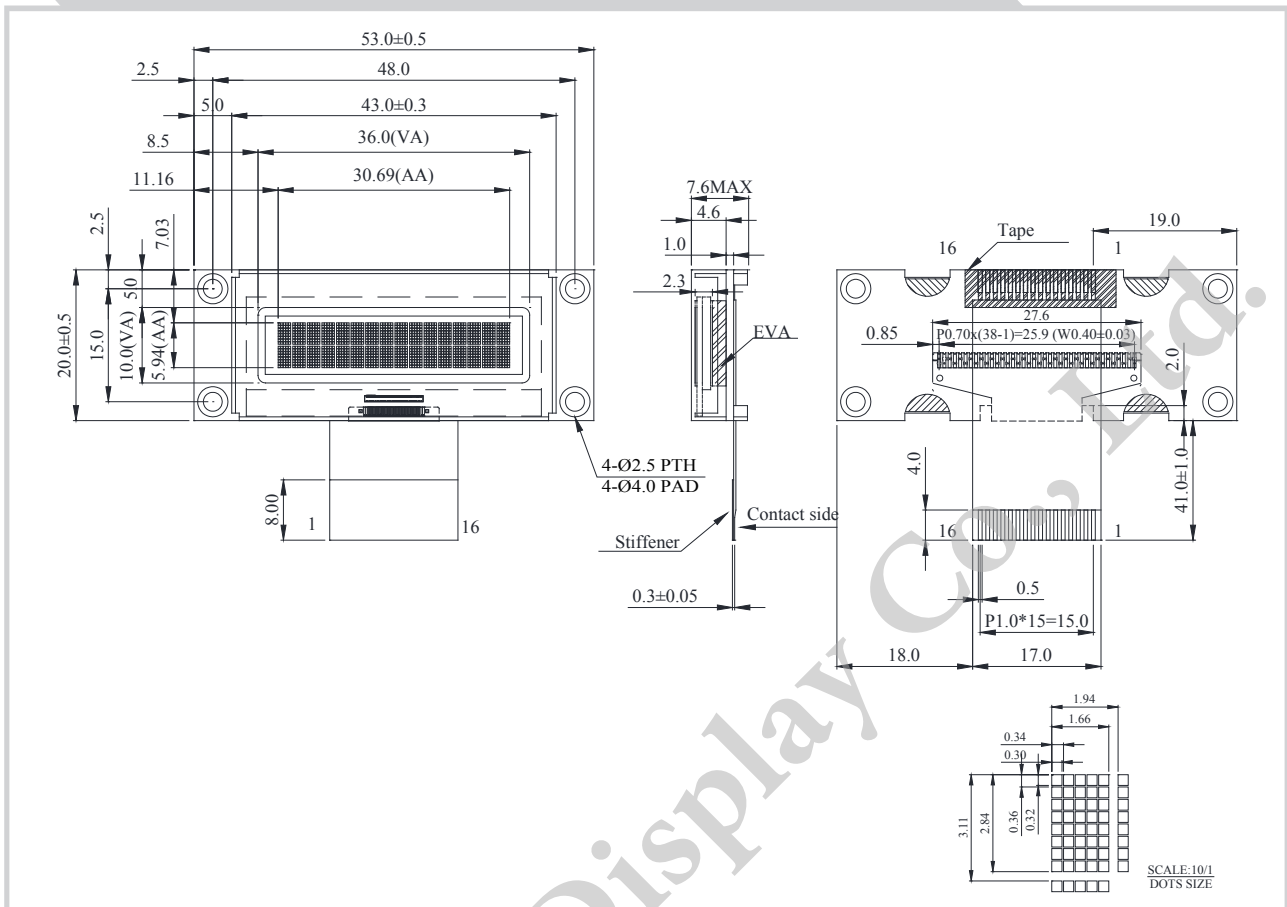


WEO001602B OLED Character 16x2



Feature

1. 16 characters x 2 Lines
2. Built-in Controller WS0012
3. 5V power supply
4. 1/16 duty cycle
5. Interface: 6800, option 8080, SPI, I2C
6. Polarizer optional

| Pin No. | Symbol | Description |
|---------|--------|--------------------|
| 1 | VSS | Ground Pin |
| 2 | VDD | Voltage for logic |
| 3 | NC | No Connection |
| 4 | RS | Register Select |
| 5 | R/W | Read/Write Control |
| 6 | E | Chip Enable Signal |
| 7 | DB0 | Data Bus |
| 8 | DB1 | Data Bus |
| 9 | DB2 | Data Bus |
| 10 | DB3 | Data Bus |
| 11 | DB4 | Data Bus |
| 12 | DB5 | Data Bus |
| 13 | DB6 | Data Bus |
| 14 | DB7 | Data Bus |
| 15 | NC | No Connection |
| 16 | NC | No Connection |

Mechanical Data

| Item | Standard Value | Unit |
|------------------|----------------|------|
| Module Dimension | 53.0 x 20.0 | mm |
| Viewing Area | 36.0 x 10.0 | mm |
| Active Area | 30.69 x 5.94 | mm |
| Dot Pitch | 0.34 x 0.36 | mm |
| Dot Size | 0.30 x 0.32 | mm |

Electrical Characteristics

| Item | Symbol | Condition | Standard Value | | | Unit |
|---------------|--------|-----------|----------------|------|------|------|
| | | | min. | typ. | max. | |
| Input Voltage | VDD | --- | 4.8 | 5.0 | 5.3 | V |