

RACT20

LED DRIVER

RECOM
LIGHTING



RATED POWER

20W max.

FEATURES

- PF = 0.95
- Screw Terminals + Socket
- 5 Year Warranty
- Triac Dimming down to 0%

| CERTIFICATION | | INPUT | DIMMING | | PROTECTION | | MODEL | CC OUTPUT ✓ | INPUT VOLTAGE |
|---------------|---|------------|---------------|---|---------------|---|------------------|--------------------|-----------------|
| CE | ✓ | 115VAC ✓ | 0-10V | ✗ | Over-Voltage | ✓ | RACT20-350(-US) | 350mA 30-56VDC | 230VAC (115VAC) |
| UL | ✓ | 230VAC ✓ | PWM | ✗ | Short-Circuit | ✓ | RACT20-500(-US) | 500mA 21-39VDC | 230VAC (115VAC) |
| EN | ✓ | 277VAC ✗ | Resistor | ✗ | Over-Load | ✓ | RACT20-700(-US) | 700mA 15-28VDC | 230VAC (115VAC) |
| EMC | ✓ | AC or DC ✓ | Triac Dimming | ✓ | Over-Temp. | ✓ | RACT20-1050(-US) | 1050mA 12-18VDC | 230VAC (115VAC) |

MECHANICAL CHARACTERISTICS

Size 137.5 x 50.2 x 23mm

Weight 145g

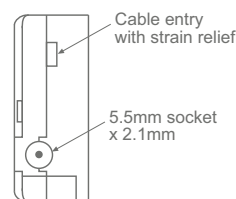
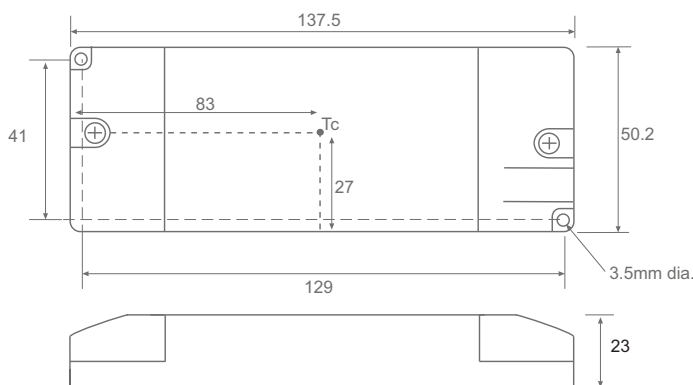
Connection Screw Terminal + 5.5mm socket

TEMPERATURE CHARACTERISTICS

Operating Temperature -30°C to +50°C

Case Temperature (Tc) 85°C max.

INSTALLATION



OR



Note: Connect LED before turning on