

RACD30

LED DRIVER

RECOM
LIGHTING



RATED POWER

30W max.

FEATURES

- PF = 0.95
- Screw Terminals + Socket
- 5 Year Warranty

CERTIFICATION	INPUT	DIMMING	PROTECTION	MODEL	CC OUTPUT ✓
CE ✓	115VAC ✓	0-10V X	Over-Voltage ✓	RACD30-500	500mA 10-56VDC
UL ✓	230VAC ✓	PWM X	Short-Circuit ✓	RACD30-700	700mA 10-43VDC
EN ✓	277VAC X	Resistor X	Over-Load ✓		
EMC ✓	AC or DC ✓	Triac Dimming X	Over-Temp. ✓		

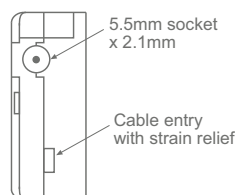
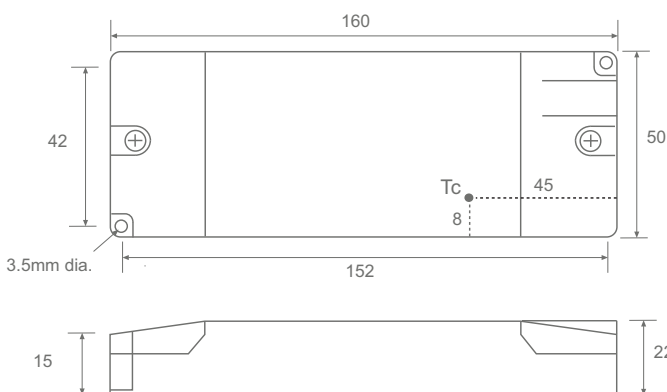
MECHANICAL CHARACTERISTICS

Size	160 x 50 x 22.5mm
Weight	169g
Connection	Screw Terminal + 5.5mm socket

TEMPERATURE CHARACTERISTICS

Operating Temperature	-20°C to +50°C
Case Temperature (Tc) (500mA version)	85°C max. 90°C max.)

INSTALLATION



OR



Note: Connect LED before turning on