

RACD20

LED DRIVER

RECOM
LIGHTING



RATED POWER

20W max.

FEATURES

- PF = 0.95
- Screw Terminals + Socket
- 5 Year Warranty

CERTIFICATION		INPUT	DIMMING	PROTECTION	MODEL	CC OUTPUT ✓
CE	✓	115VAC ✓	0-10V X	Over-Voltage ✓	RACD20-350	350mA 6-56VDC
UL	✓	230VAC ✓	PWM X	Short-Circuit ✓	RACD20-500	500mA 6-40VDC
EN	✓	277VAC X	Resistor X	Over-Load ✓	RACD20-700	700mA 6-29VDC
EMC	✓	AC or DC ✓	Triac Dimming X	Over-Temp. ✓	RACD20-1050	1050mA 5-17VDC

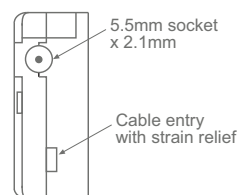
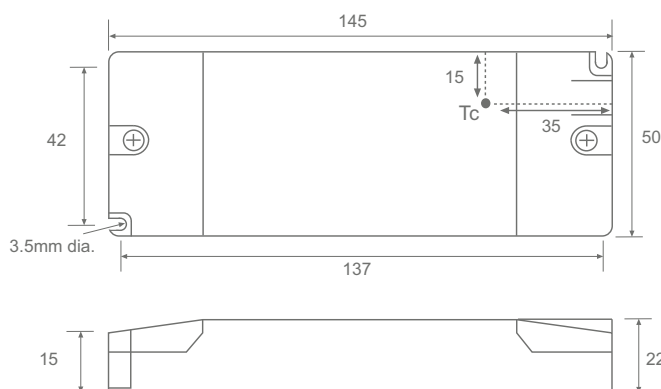
MECHANICAL CHARACTERISTICS

Size	145 x 50 x 22mm
Weight	140g
Connection	Screw Terminal + 5.5mm socket

TEMPERATURE CHARACTERISTICS

Operating Temperature	-20°C to +50°C
Case Temperature (Tc) (350mA version)	85°C max. 90°C max.)

INSTALLATION



OR



Note: Connect LED before turning on