

RACD20-D

LED DRIVER

RECOM
LIGHTING



RATED POWER

20W max.

FEATURES

- Dual Channel or Single Output
- Screw Terminals
- 5 Year Warranty
- Dimming Down to 10%

CERTIFICATION		INPUT	DIMMING		PROTECTION		MODEL			
CE	✓	115VAC	✓	0-10V	✓	Over-Voltage	✓	RACD20-350D	Dual Mode Single Mode	2x 350mA 700mA
UL	✗	230VAC	✓	PWM	✓	Short-Circuit	✓	RACD20-350D-US	Dual Mode Single Mode	2x 350mA 700mA
EN	✓	277VAC	✗	Resistor	✓	Over-Load	✓	RACD20-500D	Dual Mode Single Mode	2x 500mA 1050mA
EMC	✓	AC or DC	✓	Triac Dimming	✗	Over-Temp.	✓	RACD20-500D-US	Dual Mode Single Mode	2x 500mA 1050mA

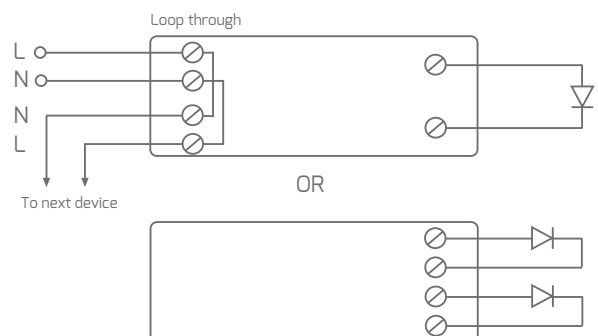
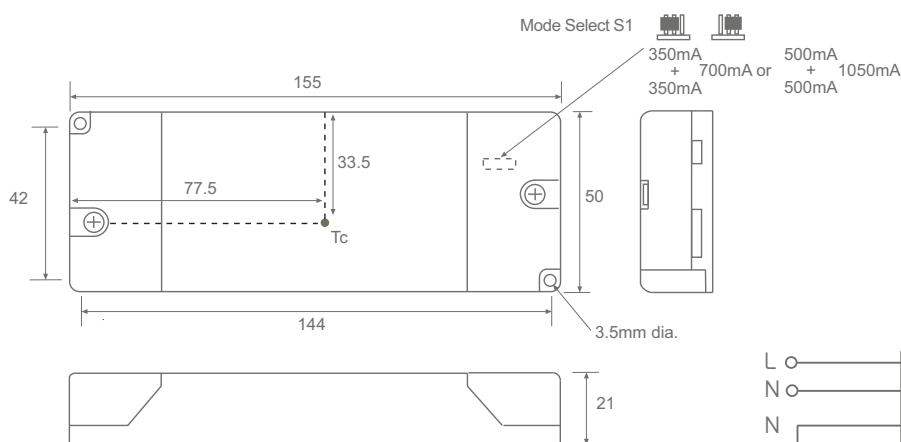
MECHANICAL CHARACTERISTICS

Size	155 x 50 x 21mm
Weight	140g
Connection	Screw Terminal

TEMPERATURE CHARACTERISTICS

Operating Temperature	-20°C to +40°C
Case Temperature (Tc)	85°C max.

INSTALLATION



Note: Connect LED before turning on