

# RACD12

LED DRIVER

**RECOM**  
LIGHTING



## RATED POWER

12W

## FEATURES

- PF = 0.95
- Screw Terminals + Socket
- 5 Year Warranty

CERTIFICATION	INPUT	DIMMING	PROTECTION	MODEL	CC OUTPUT ✓
CE ✓	115VAC ✓	0-10V X	Over-Voltage ✓	RACD12-350	350mA 3-36VDC
UL ✓	230VAC ✓	PWM X	Short-Circuit ✓	RACD12-500	500mA 3-24VDC
EN ✓	277VAC X	Resistor X	Over-Load ✓	RACD12-700	700mA 3-17VDC
EMC ✓	AC or DC ✓	Triac Dimming X	Over-Temp. ✓		

## MECHANICAL CHARACTERISTICS

Size 123 x 45 x 18.5mm

Weight 100g

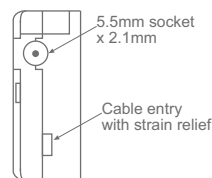
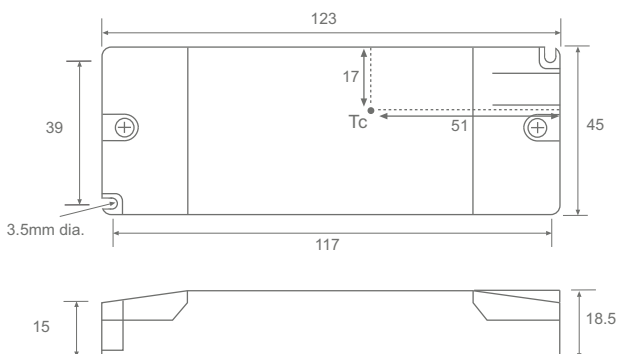
Connection Screw Terminal + 5.5mm socket

## TEMPERATURE CHARACTERISTICS

Operating Temperature -20°C to +50°C

Case Temperature (Tc) 85°C max.

## INSTALLATION



OR



Note: Connect LED before turning on