

RACD06

LED DRIVER



RATED POWER

6W nom. / 7.5W max.

FEATURES

- Screw Terminals
- 3 Year Warranty
- Low Cost

CERTIFICATION		INPUT	DIMMING		PROTECTION	MODEL	CC OUTPUT ✓	CV OUTPUT ✓		
CE	✓	115VAC	✓	0-10V	X	Over-Voltage	✓	RACD06-350	350mA 3-22VDC	24VDC 0-300mA
UL	✓	230VAC	✓	PWM	X	Short-Circuit	✓	RACD06-500	500mA 3-12VDC	14VDC 0-490mA
EN	✓	277VAC	X	Resistor	X	Over-Load	✓	RACD06-700	700mA 3-8.4VDC	12.5VDC 0-600mA
EMC	✓	AC or DC	✓	Triac Dimming	X	Over-Temp.	✓			

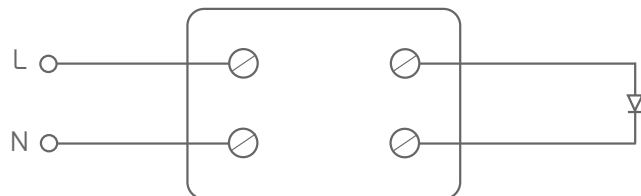
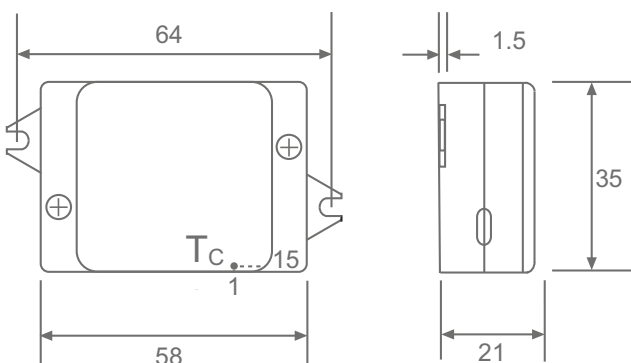
MECHANICAL CHARACTERISTICS

Size	58 x 35 x 21mm
Weight	34g
Connection	Screw Terminal

TEMPERATURE CHARACTERISTICS

Operating Temperature	-20°C to +65°C
Case Temperature (Tc)	80°C max.

INSTALLATION



Note: connect LED before turning on