

RACD03

LED DRIVER

RECOM
LIGHTING



RATED POWER

3W nom. / 5W max.

FEATURES

- IP66 Rating
- 3 Year Warranty
- Low Cost

CERTIFICATION		INPUT	DIMMING	PROTECTION	MODEL	CC OUTPUT ✓	CV OUTPUT ✓
CE	✓	115VAC ✓	0-10V X	Over-Voltage ✓	RACD03-350	350mA 3-15VDC	15VDC 0-350mA
UL	✓	230VAC ✓	PWM X	Short-Circuit ✓	RACD03-500	500mA 3-11VDC	11VDC 0-500mA
EN	✓	277VAC X	Resistor X	Over-Load ✓	RACD03-700	700mA 3-6VDC	6VDC 0-700mA
EMC	✓	AC or DC ✓	Triac Dimming X	Over-Temp. ✓			

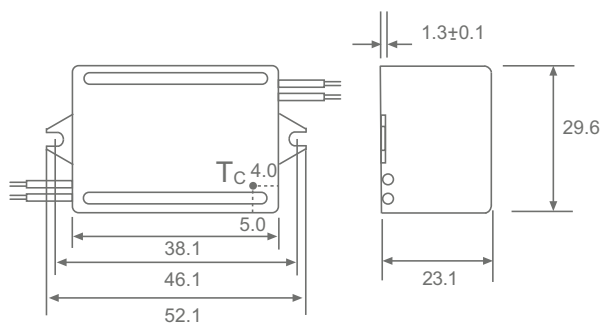
MECHANICAL CHARACTERISTICS

Size	52.1 x 29.6 x 23.1mm
Weight	45g
Connection	wired

TEMPERATURE CHARACTERISTICS

Operating Temperature	-20°C to +50°C
Case Temperature (T _c)	85°C max.

INSTALLATION



Note: connect LED before turning on