

### Peak Emission Wavelength: 340nm

The MTE340D39-UV is a powerful deep UV-A emitting device. The TO-39 packaged device delivers a 5-degree narrow view angle to enhance the radiant intensity.

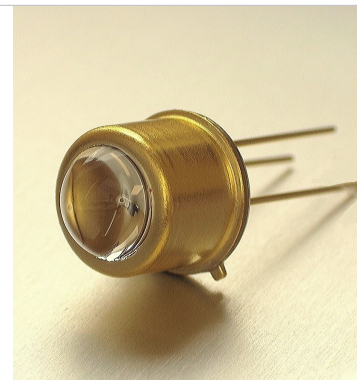
Custom package solutions and sorting are available.

#### FEATURES

- > Ultraviolet LED
- > Narrow View Angle
- > Hermetically Sealed
- > ESD protection

#### APPLICATIONS

- > Chemical and biological analysis
- > Water quality monitoring
- > Gas sensing
- > Liquid chromatography



### Absolute Maximum Ratings (Ta=25°C)



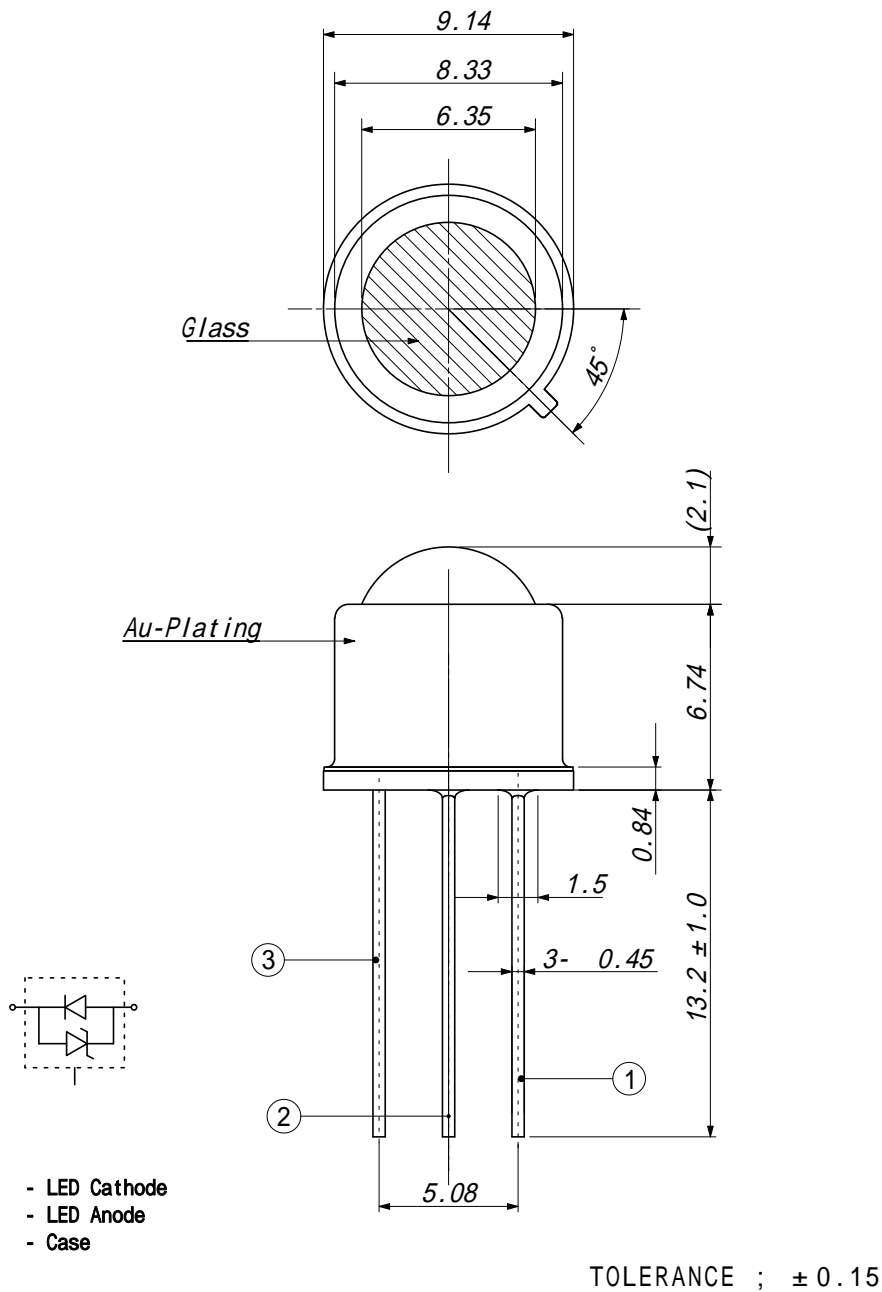
ITEMS	SYMBOL	RATINGS	UNIT
Forward Current	IF	50	mA
Operating Temperature	Topr	0 ~ +60	°C
Storage Temperature	Tstg	-40 ~ +100	°C
Junction Temperature	Tj	65	°C
Power Dissipation	PD	220	mW

\*1: Within 5 seconds.

### Electrical & Optical Characteristics (Ta = 25°C)

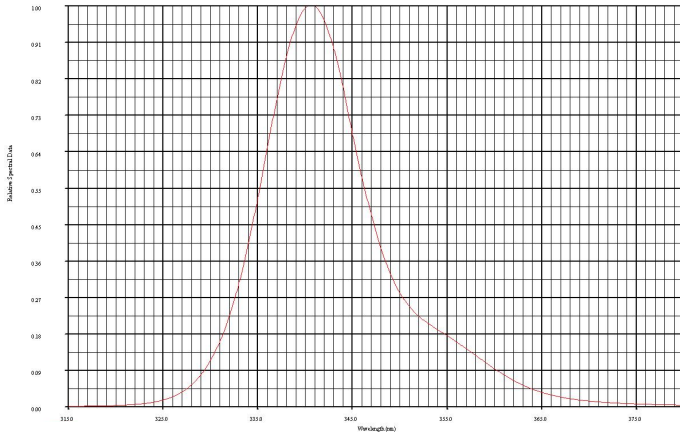
ITEMS	SYMBOL	CONDITIONS	MIN.	TYP	MAX.	UNIT
Forward Voltage	VF	IF=20mA	--	4.35	--	V
Peak Wavelength	$\lambda_p$	IF=20mA	--	340	--	nm
Power Output	PO	IF=20mA	--	1	--	mW
FWHM	$\Delta\lambda$	IF=20mA	--	12	--	nm
View Angle	$\Theta$	IF=20mA	--	5	--	deg

Package Dimensions

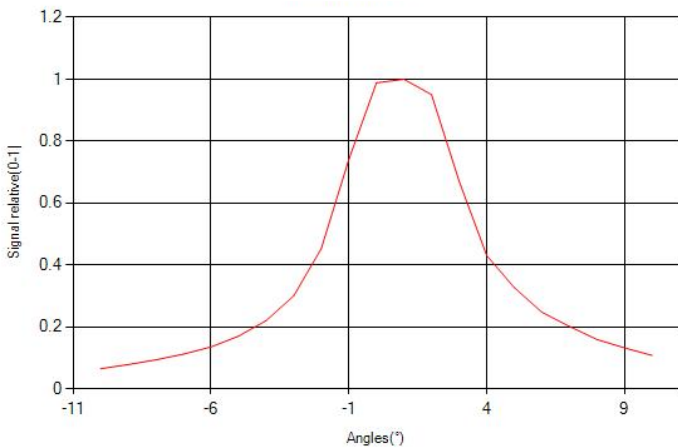


Note: The pin closest to the tab is Cathode.

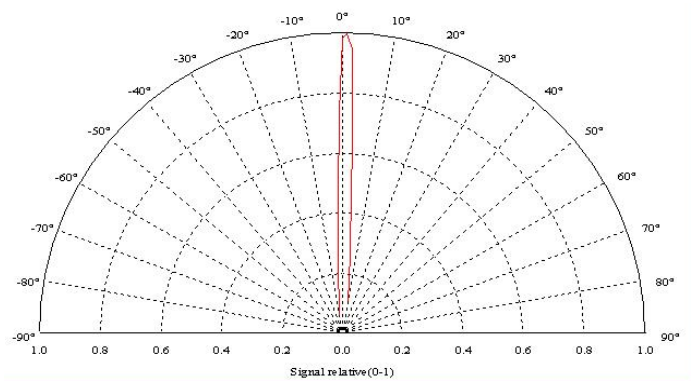
**SPECTRAL RESPONSE**



**RADIATION DISTRIBUTION**



**VIEW ANGLE**





 **CAUTION**

1. LEDs emit very strong UV radiation during operation.
2. Don't look directly into the LED light when in operation as UV radiation can harm your eyes.
3. To prevent even inadequate exposure, wear protective eyewear.
4. If LEDs are embedded in devices, please indicate warning labels against the UV LED used.
5. Avoid prolonged exposure to skin or other tissue during operation.
6. Keep out of reach of children.
7. Take appropriate precautions around pets and other living organisms to avoid UV exposure.
8. Specification and dimension are subject to change without notice.