

# Low Noise Microwave / Millimeter Wave Amplifiers

## Features:

- Low Cost
- SMA, 2.92, 2.4 mm Connectors, Std. Waveguide
- Wide Bandwidth 12-100 GHz.
- Power Output up to + 13dBm
- Low VSWR 2.5:1 Typ.



| MD Model Number | Frequency Range (Ghz.) | Min. Gain (dB) | Typical Noise Fig (dB) | In-Out VSWR (50 Ω) | Output Power (dBm) | Supply Requirements (VDC @ I Typ) | Case Style |
|-----------------|------------------------|----------------|------------------------|--------------------|--------------------|-----------------------------------|------------|
| AL1218-30       | 12-18                  | 18             | 2.5                    | 2.5:1              | +13                | 8 V @ 50 ma                       | -1,M3      |
| AL1218-30-2     | 12-18                  | 30             | 2.5                    | 2.5:1              | +13                | 8 V @ 100 ma                      | -2,M4      |
| AL1830-30       | 18-30                  | 18             | 3.0                    | 2.5:1              | +12                | 8 V @ 50 ma                       | -1,M3      |
| AL1830-30-2     | 18-30                  | 30             | 3.0                    | 2.5:1              | +12                | 8 V @ 100 ma                      | -2,M4      |
| AL2634-30       | 26-34                  | 18             | 3.0                    | 2.5:1              | +7                 | 8 V @ 75 ma                       | -1,M3      |
| AL2634-30-2     | 26-34                  | 27             | 3.0                    | 2.5:1              | +13                | 8 V @ 150 ma                      | -2,M4      |
| AL2640-30       | 26-40                  | 17             | 3.5                    | 2.5:1              | +7                 | 8 V @ 75 ma                       | -1,M3      |
| AL2640-30-2     | 26-40                  | 25             | 3.5                    | 2.5:1              | +7                 | 8 V @ 150ma                       | -2,M4      |
| AL3042-35       | 30-42                  | 17             | 3.5                    | 2.5:1              | +10                | 8 V @ 50 ma                       | -1,M3      |
| AL3042-35-2     | 30-42                  | 23             | 3.5                    | 2.5:1              | +13                | 8 V @ 120 ma                      | -2,M4      |
| AL3640-30-2     | 36-40                  | 27             | 3.0                    | 2.5:1              | +7                 | 8 V @ 125 ma                      | -2,M4      |
| AL3645-40-2     | 36-45                  | 27             | 4.0                    | 2.5:1              | +7                 | 8 V @ 125 ma                      | -2,M4      |
| AL3350-40       | 33-50 *                | 13             | 4.0                    | 2.5:1              | +10                | 8 V @ 75ma                        | -SQ        |
| AL3350-40-2     | 33-50 *                | 25             | 4.0                    | 2.5:1              | +10                | 8 V @ 125 ma                      | -SQ        |
| AL4060-45-2     | 40-60 *                | 25             | 4.5                    | 2.5:1              | +10                | 8 V @ 125 ma                      | -SU        |
| AL5065-45-2     | 50-65 *                | 23             | 4.5                    | 2.5:1              | +10                | 8 V @ 130ma                       | -SV        |
| AL7090-50-2     | 70-90 *                | 23             | 5.0                    | 3.5:1              | +5                 | 8 V @ 100ma                       | -SW        |
| AL90100-55-2    | 90-100 *               | 25             | 5.5                    | 3.5:1              | +3                 | 8 V @ 100ma                       | -SW        |

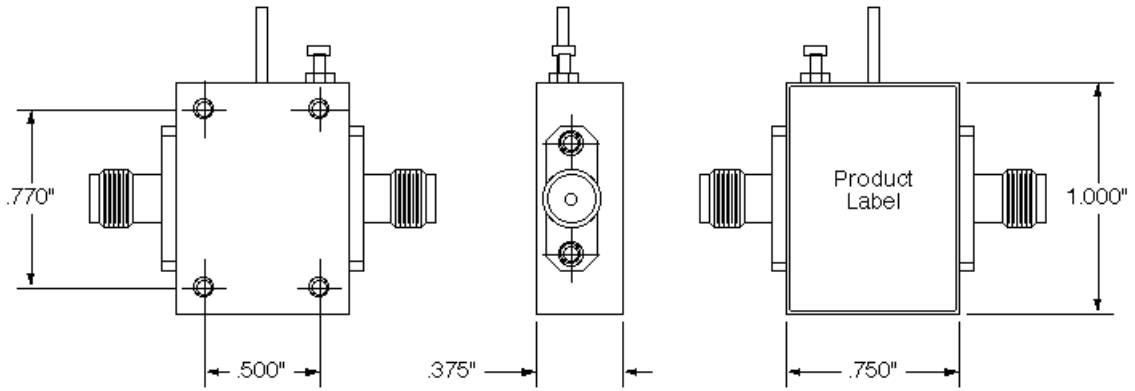
\* Limited Bandwidth Available Please consult factory



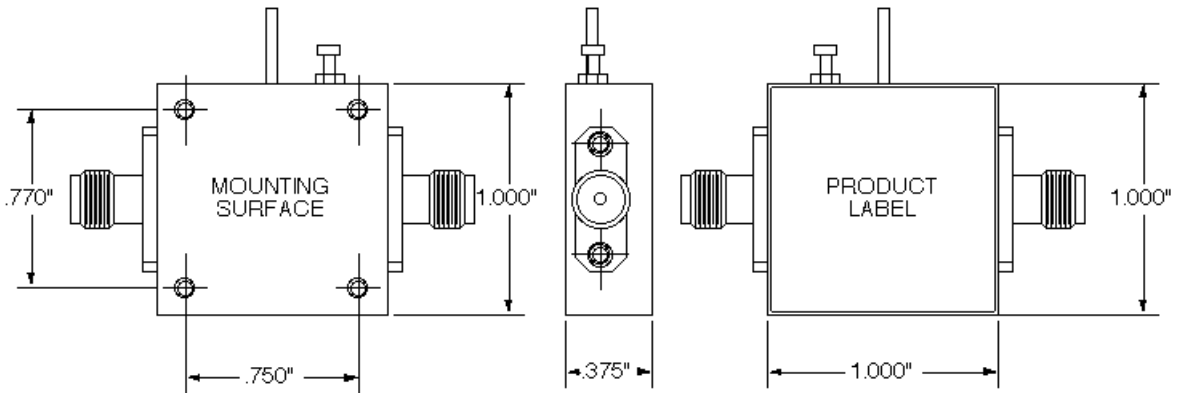
**MICROWAVE DYNAMICS, 14321 CHAMBERS ROAD, TUSTIN, CA 92780**

**PHONE: 714-505-0998 FAX: 714-505-0994**

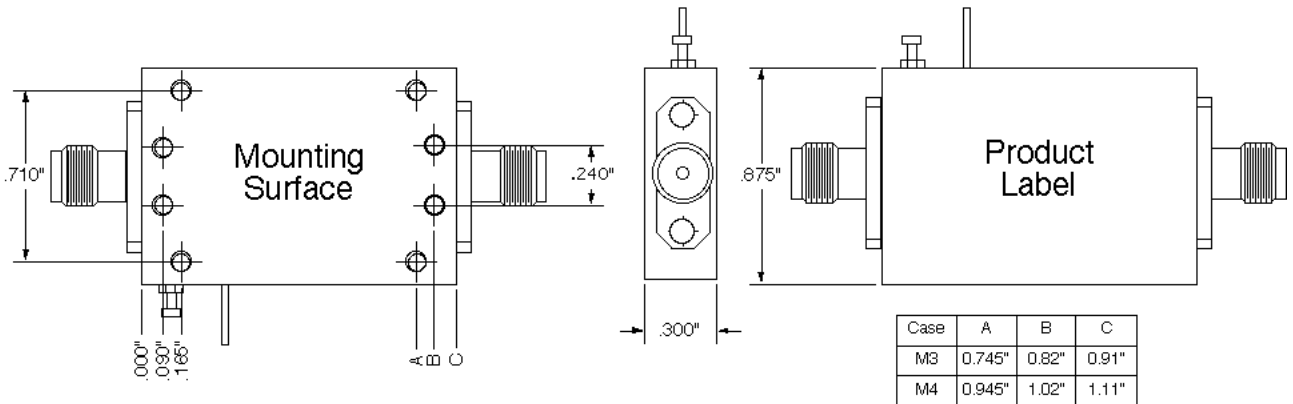
**Web Page: <http://www.microwave-dynamics.com> Email : [info@microwave-dynamics.com](mailto:info@microwave-dynamics.com)**



-1 Case Style



-2 Case Style



M Case Style



**MICROWAVE DYNAMICS, 14321 CHAMBERS ROAD, TUSTIN, CA 92780**

**PHONE: 714-505-0998 FAX: 714-505-0994**

**Web Page: <http://www.microwave-dynamics.com> Email : [info@microwave-dynamics.com](mailto:info@microwave-dynamics.com)**