

# In-Line Millimeter Wave Frequency Multipliers

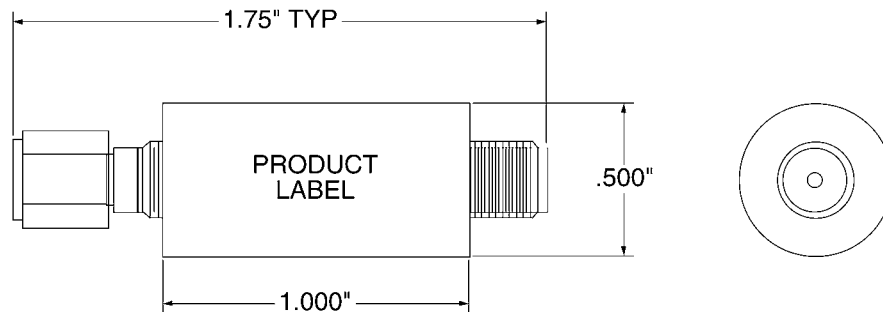
## Features:

- In-Line Design
- Low Conversion Loss 15-20 dB Typical
- Input Connector SMA Compatible
- Good Fundamental Isolation 20 dB Typical
- Input Drive Level +17 dBm Typical



| AVM Model Number | Input Frequency (GHz.) | Input Power (dBm) | Output Frequency (GHz.) | Output Power (dBm) | Typ. Fundamental Isolation dB | Input/Output Connection |
|------------------|------------------------|-------------------|-------------------------|--------------------|-------------------------------|-------------------------|
| A2X1826-0        | 9-13.25                | +17 dBm           | 18-26.5                 | 0                  | 20 dB                         | SMA / 2.92 mm           |
| A3X1826-0        | 6-8.83                 | +17 dBm           | 18-26.5                 | 0                  | 50 dB                         | SMA / 2.92 mm           |
| A2X2640-0        | 13.25-20               | +17 dBm           | 26.5-40                 | 0                  | 50 dB                         | SMA / 2.92 mm           |
| A3X2640-0        | 8.83-13.3              | +17 dBm           | 26.5-40                 | -1                 | 50 dB                         | SMA / 2.92 mm           |
| A2X3350-0        | 16.5-25                | +17 dBm           | 33-50                   | TBD                | 40 dB                         | SMA / 2.4 mm            |
| A3X3350-0        | 11-16.66               | +17 dBm           | 33-50                   | TBD                | 40 dB                         | SMA / 2.4 mm            |
| A2X4060-0        | 20-30                  | +17 dBm           | 40-60                   | TBD                | TBD                           | 2.92 / 2.4 mm           |
| A3X4060-0        | 13.3-20                | +17 dBm           | 40-60                   | TBD                | TBD                           | 2.92 / 2.4 mm           |
| A3X5075-0        | 16.6-25                | +17 dBm           | 50-75                   | TBD                | TBD                           | 2.92 / 1.85 mm          |

\* Under Development Contact Factory



**MICROWAVE DYNAMICS, 14321 CHAMBERS ROAD, TUSTIN, CA 92780**

**PHONE: 714-505-0998 FAX: 714-505-0994**

**Web Page: <http://www.microwave-dynamics.com> Email : [info@microwave-dynamics.com](mailto:info@microwave-dynamics.com)**