

Microwave and Millimeter Wave Down Converters



Features:

- Fundamental and Harmonic Mixing.
- Low Noise Figure
- Wide Frequency Ranges 2-65 GHz
- SMA, 2.92 mm, 2.4 mm Connectors
- Some Units Have Internal LO Amplifier

AVM Model Number	RF Frequency (Ghz.)	LO Power (dBm)	LO Frequency (Ghz.)	IF Frequency (Ghz.)	Typ. Conv.Gain (dB)	Typ. Noise Figure (dB)	Supply Current 8 VDC @ IDC	Case Style
ADC0206-1	2.0-6.0	+13	2.0-6.0	DC-2.0	5 dB	3.5 dB	50 ma	-3M4,-3
ADC0408-1	4.0-8.0	+13	4.0-8.0	DC-3.0	5 dB	3.0 dB	75 ma	-3M4,-3
ADC0612-1	6.0-12.0	+13	6.0-12.0	DC-4.0	13 dB	2.5 dB	75 ma	-3M4,-3
ADC0618-1	6.0-18.0	+13	6.0-18.0	DC-6.0	5 dB	3.5 dB	125 ma	-3M4,-3
ADC0620-1	6.0-20.0	+17	6.0-20.0	DC-3.0	5 dB	7.0 dB	180 ma	-3M4,-3
ADC1423-1	14.0-23.0	+13	14.0-23.0	DC-2.0	8 dB	4.0 dB	75 ma	-3M4,-3
ADC1830-1	18.0-30.0	+13	18.0-30.0	DC-6.0	12 dB	4.0 dB	75 ma	-3M4,-3
ADC2640-1	26.0-40.0	+13	26.0-40.0	DC-8.0	12 dB	4.0 dB	75 ma	-3M4,-3
ADC3545-1	35.0-45.0	+13	35.0-45.0	DC-5.0	7 dB	5.0 dB	75 ma	-3M4,-3
ADC5565-1	55.0-65.0	+13	55.0-65.0	DC-5.0	7 dB	6.0 dB	75 ma	*
ADC1725-2	17.0-25.0	-5	8.5-12.5	DC-3.0	7 dB	4.0 dB	100 ma	-3M4,-3
ADC2030-2	20.0-30.0	0	10.0-15.0	DC-4.0	10 dB	4.0 dB	120 ma	-3M4,-3
ADC2840-2	28.0-40.0	+15	14.0-20.0	DC-4.0	5 dB	4.5 dB	100 ma	-3M4,-3
ADC2633-2	26.0-33.0	-5	13.0-16.5	DC-2.5	8 dB	4.0 dB	125 ma	-3M4,-3
ADC2040-2	20.0-40.0	+15	10.0-20.0	1.0-3.0	7 dB	4.0 dB	150 ma	-3M4,-3
ADC3342-2	33.0-42.0	+2	16.5-21.0	DC-3.0	8 dB	4.5 dB	75 ma	-3M4,-3
ADC5665-2	56.0-65.0	+12	28.0-32.5	DC-3.0	7 dB	5.0 dB	100 ma	*

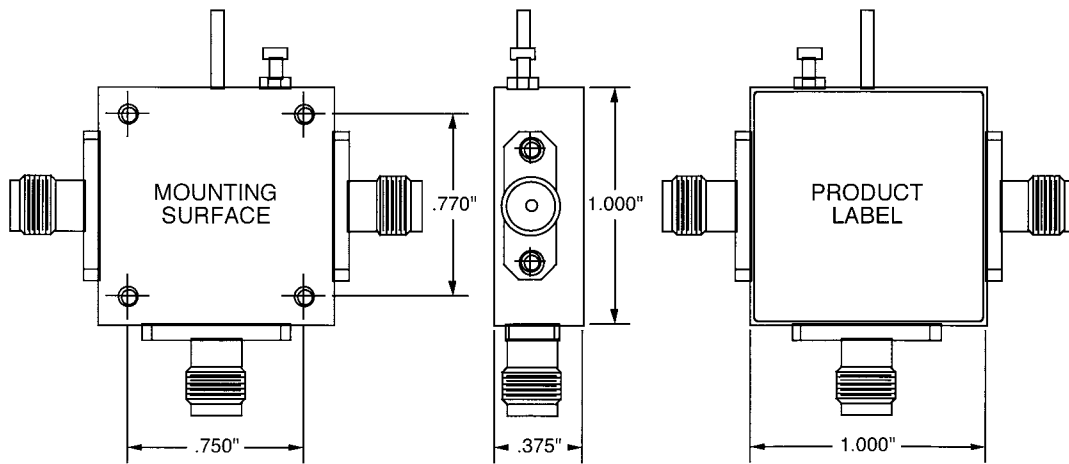
* Consult Factory for Case Style and Specifications



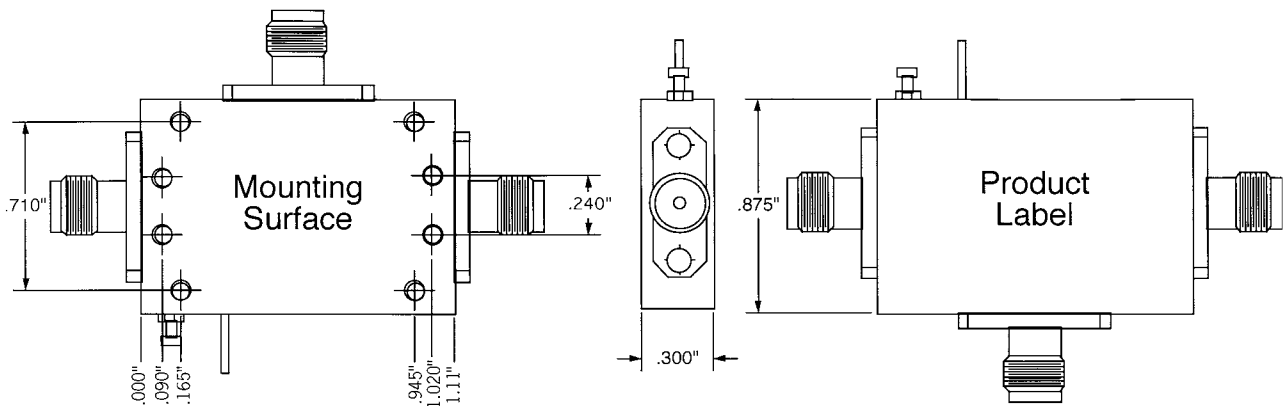
MICROWAVE DYNAMICS, 14321 CHAMBERS ROAD, TUSTIN, CA 92780

PHONE: 714-505-0998 FAX: 714-505-0994

Web Page: <http://www.microwave-dynamics.com> Email : info@microwave-dynamics.com



Case -3



-3M4 Case Style



MICROWAVE DYNAMICS, 14321 CHAMBERS ROAD, TUSTIN, CA 92780

PHONE: 714-505-0998 FAX: 714-505-0994

Web Page: <http://www.microwave-dynamics.com> Email : info@microwave-dynamics.com