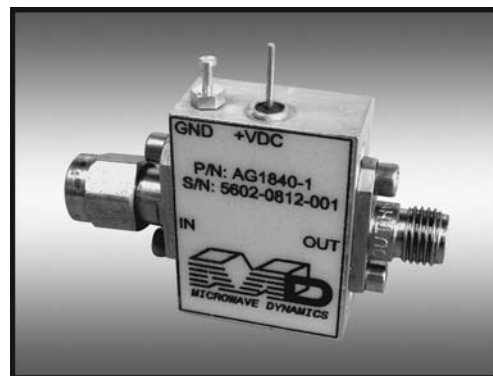


# Low Noise and General Purpose Microwave Amplifiers 2-23GHz

## Features:

- Low Cost
- SMA Connectors
- Wide Bandwidth 2-23 GHz.
- Power Output up to + 17 dBm
- Low VSWR 2.5:1 Max



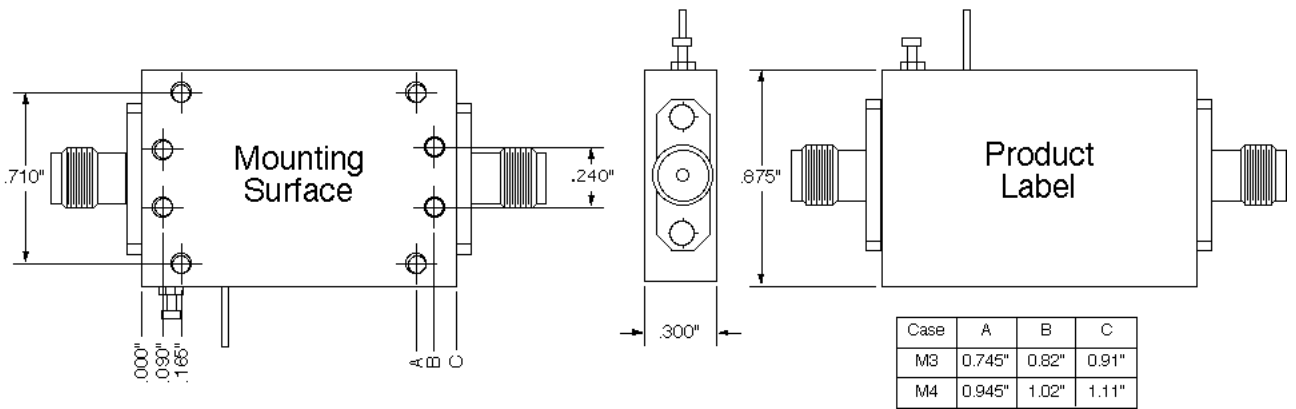
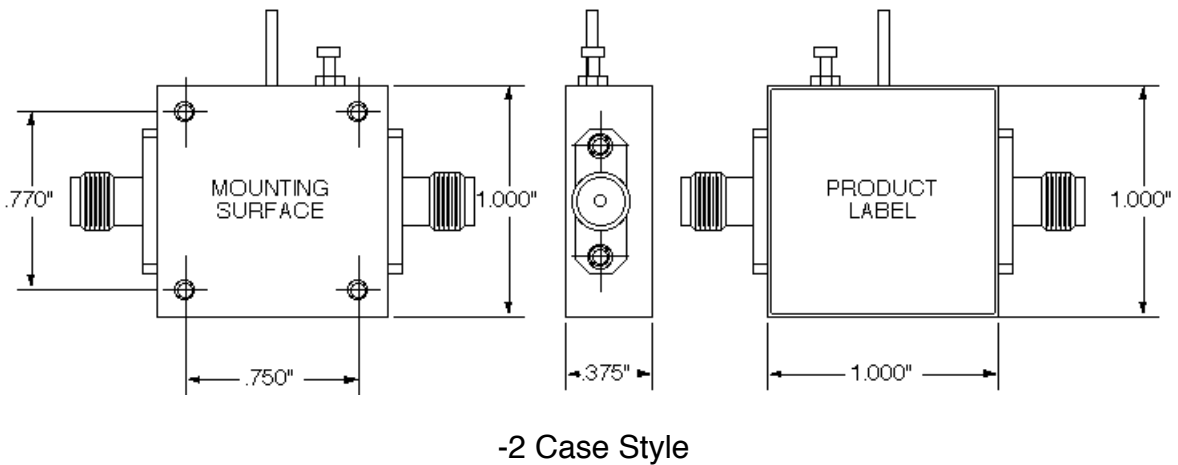
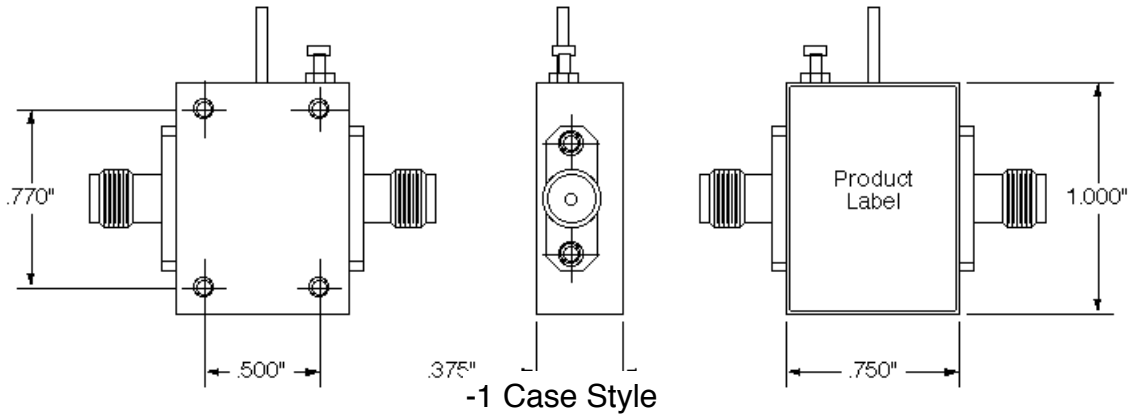
MD Model Number	Frequency Range (Ghz.)	Min. Gain (dB)	Typical Noise Fig (dB)	In-Out VSWR (50 Ω)	Output Power (dBm)	Supply Requirements (VDC @ I Typ)	Case Style
AL0206-30-1	2.0-6.0	15	3.0	2.5:1	+13	8 V @ 50 ma	-1, M3
AL0206-30-2	2.0-6.0	30	3.0	2.5:1	+16	8 V @ 100 ma	-2, M4
AL0307-25-1	2.0-8.0	16	2.5	2.5:1	+13	8 V @ 75 ma	-1, M3
AL0307-25-2	2.0-8.0	30	2.5	2.5:1	+13	8 V @ 150 ma	-2, M4
AL0508-25-1	5.0-8.0	14	2.5	2.5:1	+13	8 V @ 75ma	-1, M3
AL0508-25-2	5.0-8.0	27	2.5	2.5:1	+13	8 V @ 150ma	-1, M4
AL0613-20-1	6.0-13.0	24	2.0	2.5:1	+9	8 V @ 75ma	-1, M3
AL0714-25-1	7.0-14.0	14	2.5	2.5:1	+13	8 V @ 130ma	-1, M4
AL0714-25-2	7.0-14.0	27	2.5	2.5:1	+13	8 V @ 250ma	-2, M4
AL0618-30-1	6.0-18.0	14	3.0	2.5:1	+13	8 V @ 130ma	-1, M3
AL0618-30-2	6.0-18.0	27	3.0	2.5:1	+13	8 V @ 250ma	-2, M4
AL0818-40-1	8.0-18.0	16	4.0	2.5:1	+13	8 V @ 50 ma	-1, M3
AL0818-40-2	8.0-18.0	30	4.0	2.5:1	+17	8 V @ 150ma	-2, M4
AG0210-1	2.0-10.0	15	6.0	2.5:1	+13	8 V @ 75 ma	-1, M3
AG0210-2	2.0-10.0	30	6.0	2.5:1	+13	8 V @ 150ma	-2, M4
AG0618-1	6.0-18.0	13	5.0	2.5:1	+12	8 V @ 130ma	-1, M3
AG0618-2	6.0-18.0	25	5.0	2.5:1	+17	8 V @ 250ma	-2, M4
AG0220-1	2.0-20.0	14	7.0	2.5:1	+13	8 V @ 130ma	-1, M3
AG0220-2	2.0-20.0	25	7.0	2.5:1	+13	8 V @ 250ma	-2, M4
AG0623-1	6.0-23.0	17	6.0	2.5:1	+17	8 V @ 180ma	-1, M3



**MICROWAVE DYNAMICS, 14321 CHAMBERS ROAD, TUSTIN, CA 92780**

**PHONE: 714-505-0998 FAX: 714-505-0994**

**Web Page: <http://www.microwave-dynamics.com> Email : [info@microwave-dynamics.com](mailto:info@microwave-dynamics.com)**



**M Case Style**



**MICROWAVE DYNAMICS, 14321 CHAMBERS ROAD, TUSTIN, CA 92780**

**PHONE: 714-505-0998 FAX: 714-505-0994**

**Web Page: <http://www.microwave-dynamics.com> Email : [info@microwave-dynamics.com](mailto:info@microwave-dynamics.com)**